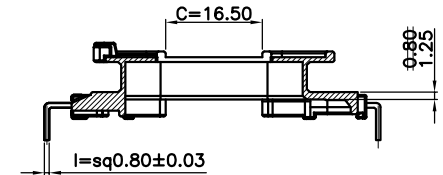
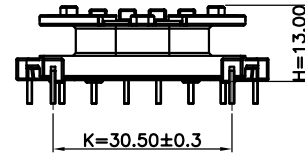
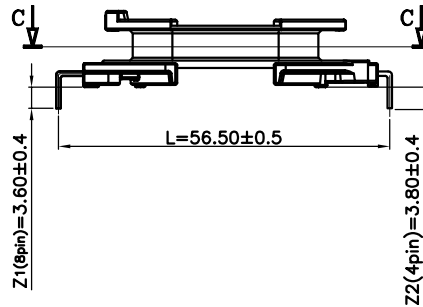
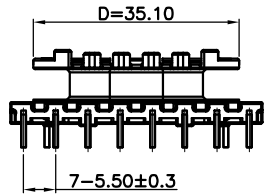
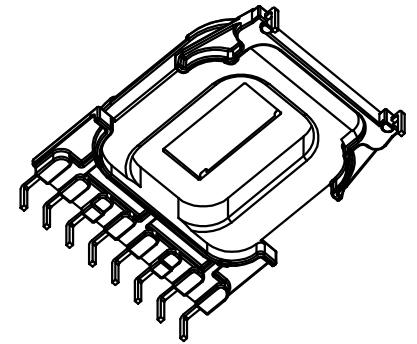
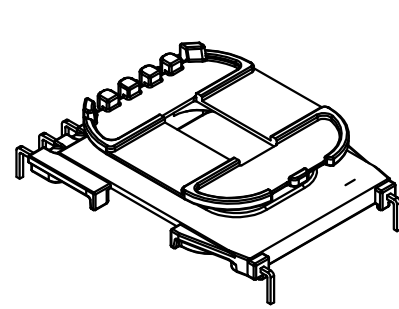
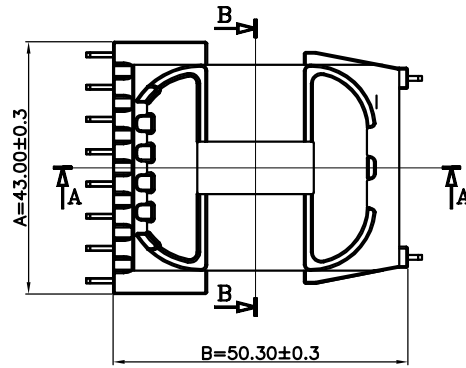
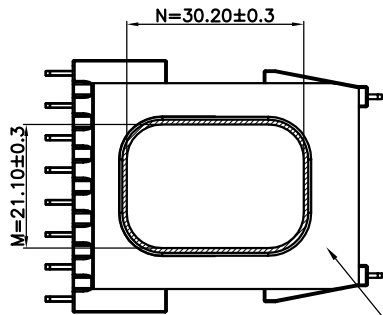


SECTION B-B

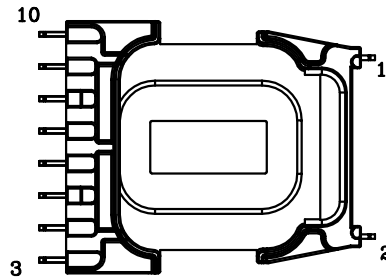


SECTION A-A



SECTION C-C

살두께 1.25T 로 통일



DRAWN	CHECKED	APPROVED	MATERIAL : PHENOL(PM9820)	UL REC. : UL94V-0	THIRD ANGLE PROJ.	SCALE : 1/1
GW, Jeon	SH, Kim	C, Park	Z : PIN LENGTH (According to customer's request)	DATE : 2015.07.21	TOLERANCE ±0.2 (Unless otherwise specified)	UNIT : m/m
주식회사 대흥보빈 DAE HEUNG BOBBIN CO., LTD			TITLE EE 42*14 "V" (10P)(D)		DWG NO DH-140925-3077-16	